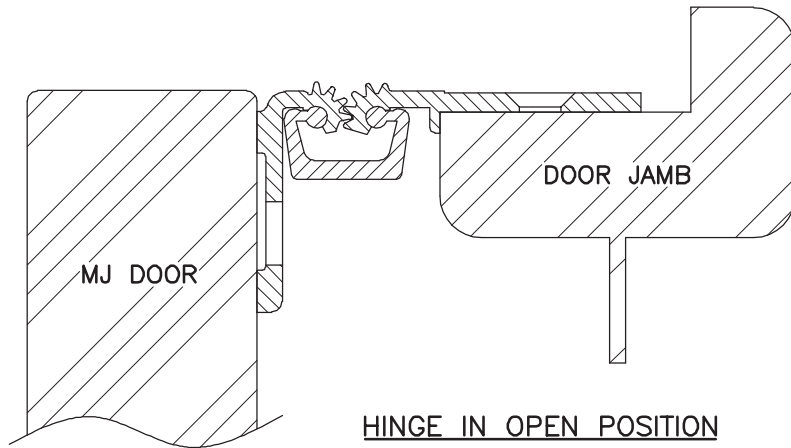


HINGE IN CLOSED POSITION



HINGE IN OPEN POSITION

TOLERANCES: FRACTIONAL $\pm 1/16"$, DECIMAL $\pm .06$

THIS DRAWING IS THE PROPERTY OF PACIFIC MARITIME INDUSTRIES, CORP. AND IS NOT TO BE REPRODUCED IN WHOLE OR IN PART WITH OUT WRITTEN PERMISSION.



PACIFIC MARITIME INDUSTRIES, CORP.

Email: sales@pacmaritime.com
Phone: (619) 575-8141 / Fax: (619) 575-8151

| | | | | | |
|------------|------------------|--------------------------------------------|--------|--------------------|---|
| TYPE | | CONTINUOUS HINGE | | | |
| TITLE | | 79" CONTINUOUS HINGE ARRANGEMENT & DETAILS | | | |
| DATE | 6/20/03 | SCALE | NONE | WEIGHT | - |
| REV. | - | SHEET | 1 OF 1 | REFERENCE DRAWINGS | |
| DWG NO | CONTINUOUS HINGE | 1 | | | |
| FILE NO | CONTINUOUS HINGE | 2 | | | |
| DRAWN BY | F.L. | 3 | | | |
| CHECKED BY | - | 4 | | | |
| | | 5 | | | |