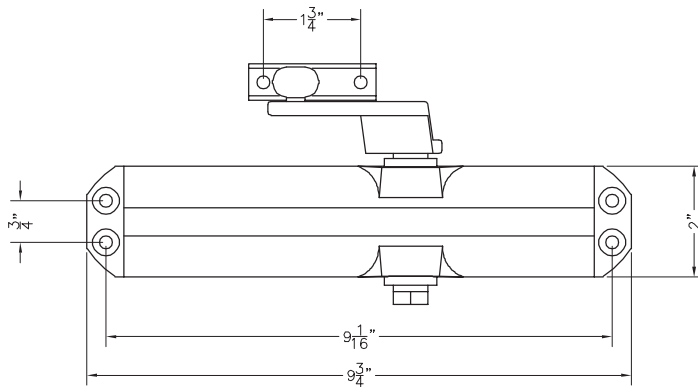


NOTES:

- 1. ANSI A156-4 Grade 1  
FF-H-121 Type 3001  
U.L. and U.L.C. Listed  
Aluminum Color



TOLERANCES: FRACTIONAL  $\pm 1/16"$ , DECIMAL  $\pm .06$

THIS DRAWING IS THE PROPERTY OF PACIFIC MARITIME INDUSTRIES, CORP. AND IS NOT TO BE REPRODUCED IN WHOLE OR IN PART WITH OUT WRITTEN PERMISSION.



**PACIFIC MARITIME  
INDUSTRIES, CORP.**

Email: sales@pacmaritime.com  
Phone: (619) 575-8141 / Fax: (619) 575-8151

TYPE		TYPE 3			
TITLE		DOOR CLOSER ARRANGEMENT & DETAILS			
DATE	6/20/03	SCALE	NONE	WEIGHT	-
REV.	-	SHEET	1 OF 1	REFERENCE DRAWINGS	
DWG NO	DOOR CLOSER	1			
FILE NO	DOOR CLOSER	2			
DRAWN BY	F.L.	3			
CHECKED BY	-	4			
		5			