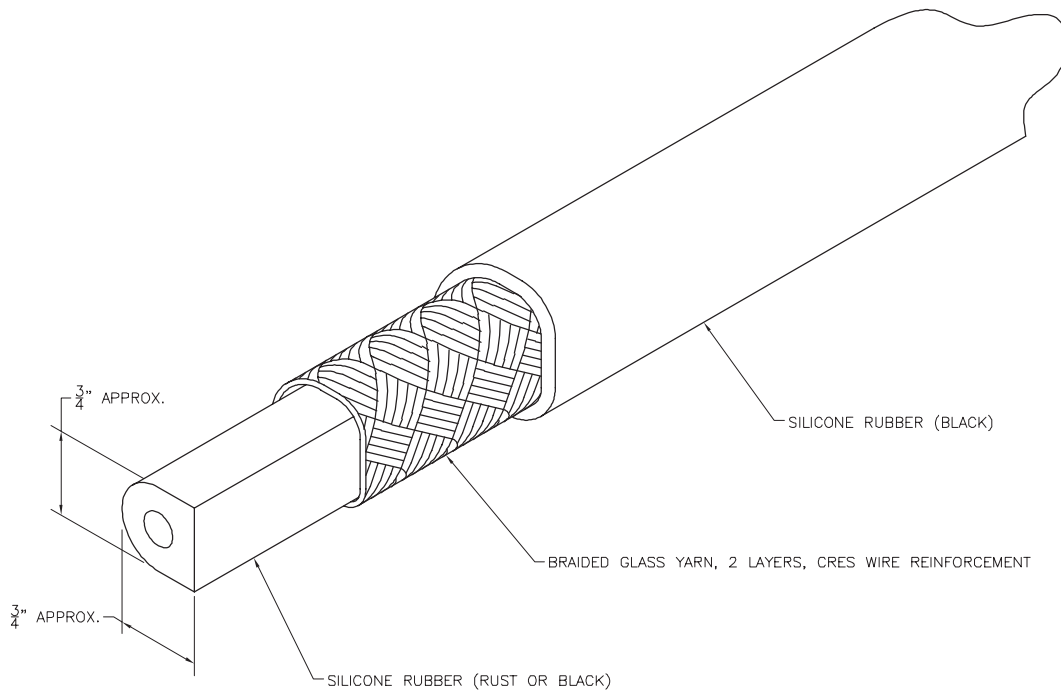


NOTES:

1. Size: 3/4" X 3/4" Approx.
2. Materials: I.A.W. MIL-G-17927
3. Weight: 4 oz./ft.



TOLERANCES: FRACTIONAL  $\pm 1/16$ ", DECIMAL  $\pm .06$

THIS DRAWING IS THE PROPERTY OF PACIFIC MARITIME INDUSTRIES, CORP. AND IS NOT TO BE REPRODUCED IN WHOLE OR IN PART WITH OUT WRITTEN PERMISSION.



**PACIFIC MARITIME  
INDUSTRIES, CORP.**

Email: sales@pacmaritime.com  
Phone: (619) 575-8141 / Fax: (619) 575-8151

TYPE						GASKET - FIRE ZONE DOOR					
TITLE						GASKET - FIRE ZONE DOOR					
DATE	6/20/03	SCALE	NONE			WEIGHT					
REV.	-	SHEET	1 OF 1			REFERENCE DRAWINGS					
DWG NO	GASKET					1					
FILE NO	GASKET					2					
DRAWN BY	F.L.					3					
CHECKED BY	-					4					
						5					