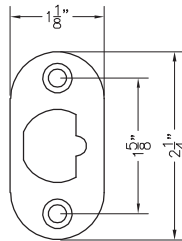


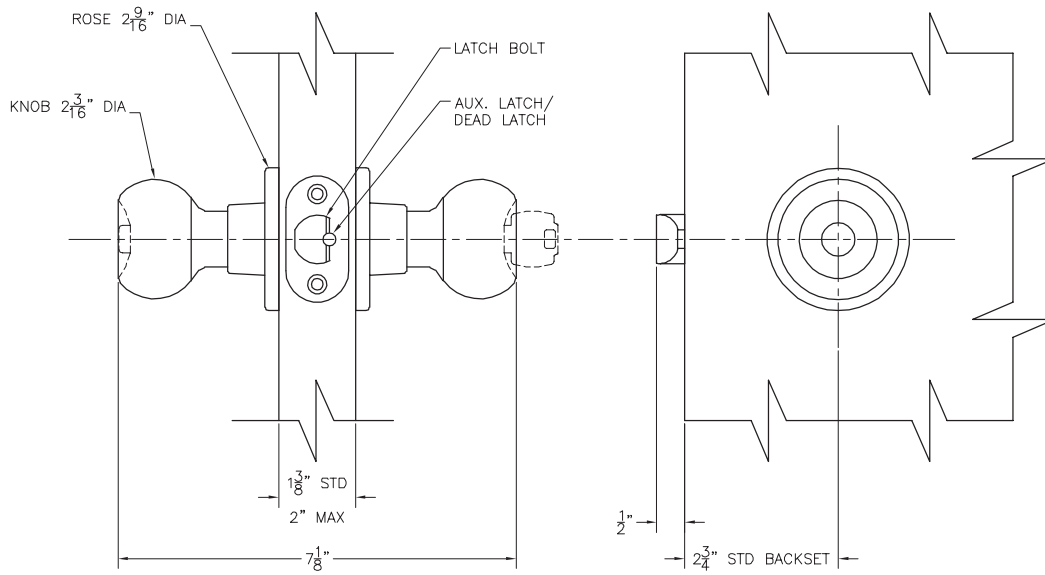
STRIKE PLATE



FACE PLATE

NOTES:

1. Key, locks or unlocks outside knob, and releases push button. Push button also releases by rotating knob or by closing door, preventing accidental lock-out.
2. Entire lockset is made from stainless steel.
3. Specification: FF-H-106



TOLERANCES: FRACTIONAL $\pm 1/16"$, DECIMAL $\pm .06$

THIS DRAWING IS THE PROPERTY OF PACIFIC MARITIME INDUSTRIES, CORP. AND IS NOT TO BE REPRODUCED IN WHOLE OR IN PART WITH OUT WRITTEN PERMISSION.



PACIFIC MARITIME INDUSTRIES, CORP.

Email: sales@pacmaritime.com
Phone: (619) 575-8141 / Fax: (619) 575-8151

TYPE		TYPE 161-T-4			
TITLE		HEAVY DUTY MARINE LOCKSET ARRANGEMENT & DETAILS			
DATE	6/20/03	SCALE	NONE	WEIGHT	-
REV.	-	SHEET	1 OF 1	REFERENCE DRAWINGS	
DWG NO	HEAVY DUTY LOCKSET	1			
FILE NO	HEAVY DUTY LOCKSET	2			
DRAWN BY	F.L.	4			
CHECKED BY	-	5			