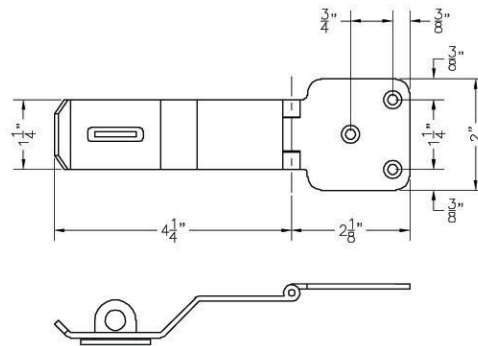


HINGE SIDE MOUNTING



STOP SIDE MOUNTING

TOLERANCES: FRACTIONAL $\pm 1/16$ ", DECIMAL $\pm .06$

THIS DRAWING IS THE PROPERTY OF PACIFIC MARITIME INDUSTRIES, CORP. AND IS NOT TO BE REPRODUCED IN WHOLE OR IN PART WITH OUT WRITTEN PERMISSION.



Email: sales@pacmaritime.com
Phone: (619) 575-8141 / Fax: (619) 575-8151

TYPE		HASP & STAPLE	
TITLE		HASP & STAPLE – ARRANGEMENT & DETAILS	
DATE	6/20/03	SCALE	NONE
REV.	–	WEIGHT	–
		SHEET	1 OF 1
		REFERENCE DRAWINGS	
DWG NO	HASP & STAPLE	1	DOORS, JOINTER, METAL, HONEYCOMB CORE
FILE NO	HASP & STAPLE	2	
DRAWN BY	F.L.	3	
CHECKED BY	–	4	
			805-4629248