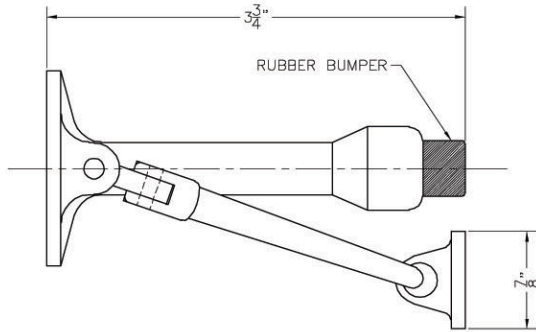
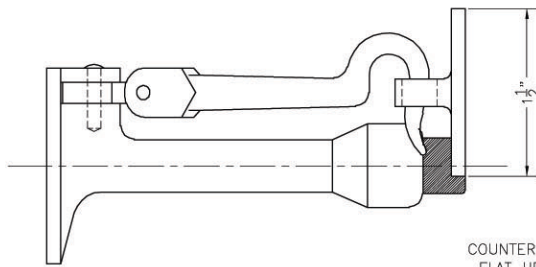


NOTES:

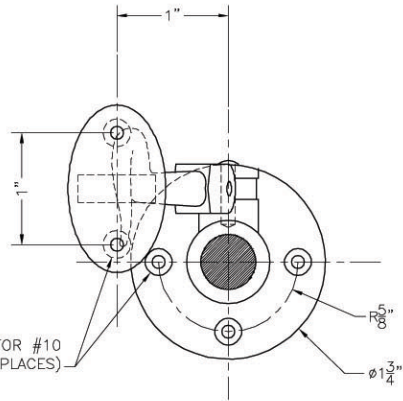
1. Material: I.A.W. S3200-86055 PC 60



TOP VIEW



SIDE VIEW



END VIEW

TOLERANCES: FRACTIONAL $\pm 1/16"$, DECIMAL $\pm .06$

THIS DRAWING IS THE PROPERTY OF PACIFIC MARITIME INDUSTRIES, CORP. AND IS NOT TO BE REPRODUCED IN WHOLE OR IN PART WITH OUT WRITTEN PERMISSION.



**PACIFIC MARITIME
INDUSTRIES, CORP.**

Email: sales@pacmaritime.com
Phone: (619) 575-8141 / Fax: (619) 575-8151

TYPE				HOOK & BUMPER			
TITLE							
HOOK & BUMPER - ARRANGEMENT & DETAILS							
DATE	6/20/03	SCALE	NONE	WEIGHT	-		
REV.	-	SHEET	1 OF 1	REFERENCE DRAWINGS			
DWG NO	HOOK & BUMPER			1	DOORS, JOINTER, METAL, HONEYCOMB CORE		805-4629248
FILE NO	HOOK & BUMPER			2			
DRAWN BY	F.L.			3			
CHECKED BY	-			4			